

# Piston Check Valves

Cast Steel

Sizes 1" - 24"

Class 300 - 2500



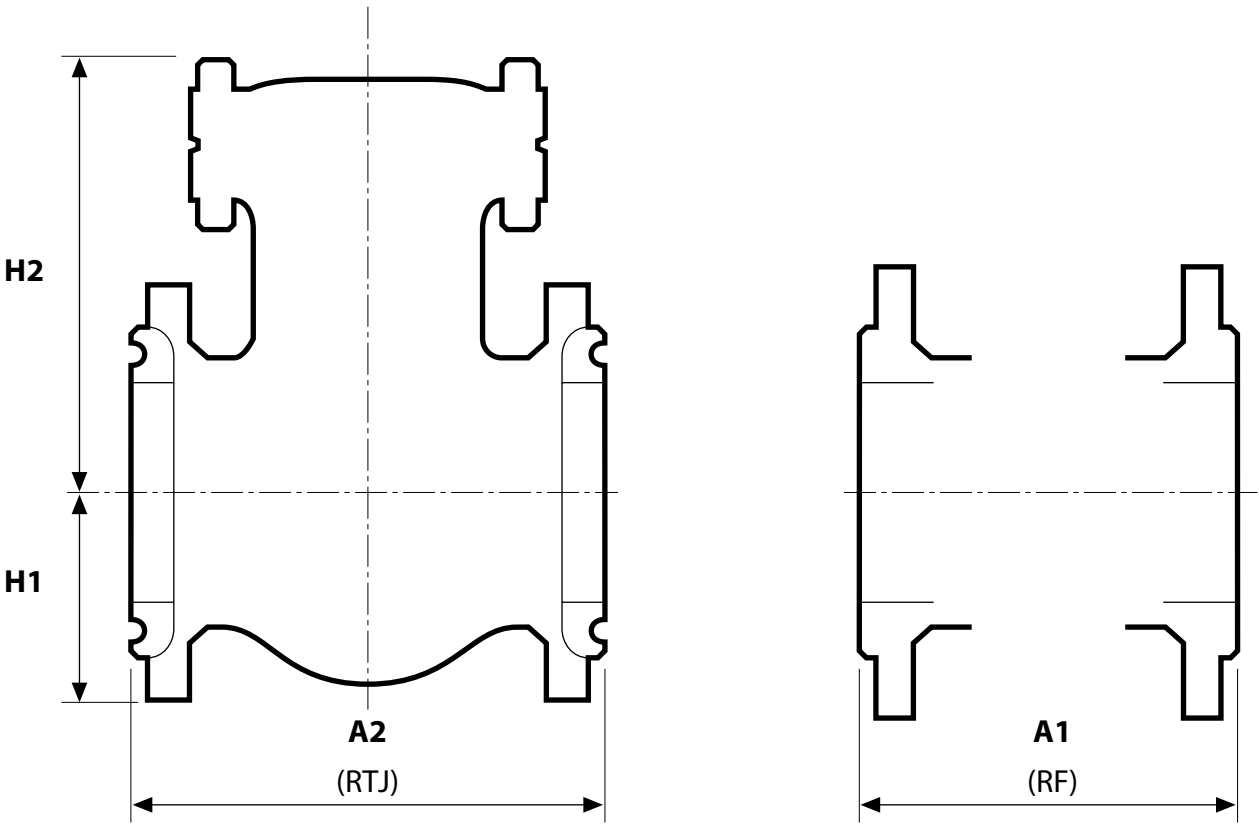
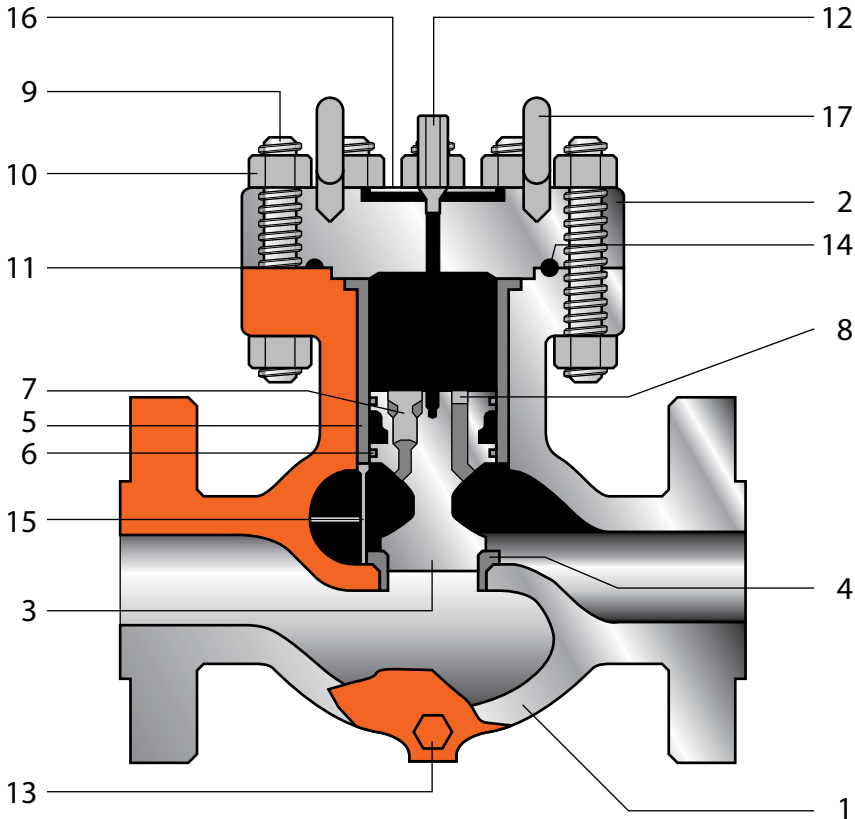
## Design and Manufacturing Standards

<b>Basic Design</b>	<b>API 6D</b>
<b>Shell Wall Thickness</b>	<b>ANSI B16.34</b>
<b>Face to Face Dimension</b>	<b>As stated</b>
<b>Flange End Dimension</b>	<b>ANSI B16.5</b>
<b>Inspection &amp; Testing</b>	<b>API 6D</b>



CAST STEEL PISTON CHECK VALVES CLASS 300 - 2500

1" - 24"



**BILL OF MATERIAL**

<b>NO</b>	<b>NAME OF PART</b>	<b>MATERIAL</b>
<b>1</b>	BODY	CAST CARBON STEEL, ASTM A-216 WCB
		CAST ALLOY STEEL, ASTM A-487-N
<b>2</b>	COVER	FORGED STEEL, ASTM A-105-GR. 1
		FORGED STEEL, ASTM A-105-GR. 2
<b>3</b>	PISTON	11 - 13% CHROME ALLOY (165 BRINELL HARDNESS)
<b>4</b>	SEAT	11 - 13% CHROME ALLOY (250 BRINELL HARDNESS)
<b>5</b>	LINER	ALLOY IRON (HARD CHROME LINED)
<b>6</b>	PISTON RINGS	CAST IRON (CHEMICALLY TREATED)
<b>*7</b>	CHECK VALVE (WITH BALL)	STAINLESS STEEL WITH CHROME-STEEL BALL
<b>*8</b>	ORIFICE PLUG	.25" STAINLESS STEEL
<b>9</b>	STUDS	ASTM A-193-GR 87
<b>10</b>	HEX NUTS	ASTM A-194-GR 2
<b>11</b>	BODY - COVER - LINER GASKET	GRAPHITE ASBESTOS
<b>*12</b>	BLEEDER PLUG	.25" NPT STEEL (CHEMICALLY TREATED)
<b>13</b>	DRAIN PLUG	.25" NPT STEEL
<b>14</b>	API RING GASKET	SOFT IRON
<b>15</b>	SEAT LOCKING PIN	STAINLESS STEEL
<b>16</b>	IDENTIFICATION PLATE	CAST ALUMINUM
<b>*17</b>	LIFTING EYE BOLTS	STEEL
* INDICATES PARTS INTERCHANGEABLE IN ALL SIZES.		
NOTE: AVAILABLE IN OTHER MATERIALS UPON REQUEST.		

## CLASS 300 - CAST STEEL PISTON CHECK VALVES

### DIMENSIONS & WEIGHTS

SIZE	in	1	1.5	2	3	4	6	8	10	12	14	16
	mm	25	38	51	76	102	152	203	254	305	356	406
A1 (RF)	in	7.5	11.25	10.25	14.75	17.625	19.375	22.5	29.625	32	35.25	39.125
	mm	191	286	260	375	448	492	572	752	813	895	994
A2 (RTJ)	in	-	-	-	-	-	-	-	-	-	-	-
	mm	-	-	-	-	-	-	-	-	-	-	-
H1	in	2.25	3.25	3.25	4.875	5	6.75	9.25	11.75	13.25	14.875	17
	mm	57	83	83	124	127	171	235	298	337	378	432
H2	in	5.875	8.5	8.5	10.25	12.5	17.5	20.125	23.75	24.375	27.25	30.125
	mm	149	216	216	260	318	445	511	603	619	692	765
WGT	lb	45	78	80	155	250	415	750	1300	1660	2500	3100
(RF)	kg	20	35	36	70	114	187	341	591	755	1136	1409

## CLASS 600 - CAST STEEL PISTON CHECK VALVES

### DIMENSIONS & WEIGHTS

SIZE	in	1	1.5	2	3	4	6	8	10	12	14	16	18	20	24
	mm	25	38	51	76	102	152	203	254	305	356	406	457	508	559
A1 (RF)	in	8	11.25	11	14.75	18.5	20.25	24	30.875	33.625	37	41.25	46	55.5	60
	mm	203	286	279	375	470	527	610	784	854	940	1048	1168	1410	1524
A2 (RTJ)	in	8.125	11.25	11.125	14.875	18.625	20.875	24.125	31	33.75	37.125	41.375	46.125	55.625	60.125
	mm	206	286	283	378	461	530	613	787	857	943	1051	1172	1413	1527
H1	in	2.5	3.25	3.25	5.25	5.375	7	9.25	11.75	13.125	14.875	17	19.25	20.875	22.125
	mm	64	83	83	133	137	178	235	298	333	378	432	489	530	561
H2	in	5.875	8.5	8.5	10.25	12.125	18	20.25	24.25	25.125	28.125	31.25	32.875	35.25	38.78
	mm	149	216	216	260	308	457	514	616	638	714	794	835	895	985
WGT	lb	50	80	85	175	290	550	810	1650	2450	2900	3700	4600	7900	10200
(RF)	kg	23	36	39	80	132	250	368	750	1114	1318	1682	2091	3591	4636

## CLASS 900 - CAST STEEL PISTON CHECK VALVES

### DIMENSIONS & WEIGHTS

SIZE	in	1	1.5	2	3	4	6	8	10	12
	mm	25	38	51	76	102	152	203	254	305
A1 (RF)	in	11.25	13.625	13.625	14.875	19.375	21.875	24.875	31.375	33.875
	mm	203	346	346	378	492	556	632	797	860
A2 (RTJ)	in	11.375	13.75	13.75	15	19.5	22	25	31.5	36.4
	mm	289	349	349	381	495	559	635	800	857
H1	in	2.5	3.25	3.25	5.25	5.375	7	9.25	11.75	13.125
	mm	64	83	83	133	137	178	235	298	333
H2	in	5.875	8.5	8.5	10.25	12.125	18	20.25	24.25	25.125
	mm	149	216	216	260	308	457	514	616	638
WGT	lb	50	80	85	175	290	550	810	1650	2450
(RF)	kg	23	36	39	80	132	250	368	750	1114

## CLASS 1500 - CAST STEEL PISTON CHECK VALVES

### DIMENSIONS & WEIGHTS

SIZE	in	1	1.5	2	3	4	6	8	10	12	14
	mm	25	38	51	76	102	152	203	254	305	356
A1 (RF)	in	11.25	13.625	13.625	17.25	20.25	24	32.375	34.375	41	50.5
	mm	286	346	346	438	514	610	822	873	1041	1283
A2 (RTJ)	in	11.25	13.75	13.75	17.325	20.375	24.25	32.75	35	41.675	51.25
	mm	286	349	349	440	518	616	832	889	1059	1302
H1	in	2.5	3.25	3.25	5.25	5.375	7	9.25	11.75	13.125	14.875
	mm	64	83	83	133	137	178	235	298	333	378
H2	in	5.875	8.5	8.5	10.25	12.125	18	20.25	24.25	25.125	28.125
	mm	149	216	216	260	308	457	514	616	638	714
WGT (RF)	lb	50	80	85	175	290	550	810	1650	2450	2900
	kg	23	36	39	80	132	250	368	750	1114	1318

## CLASS 2500 - CAST STEEL PISTON CHECK VALVES

### DIMENSIONS & WEIGHTS

SIZE	in	1	1.5	2	3	4	6	8	10
	mm	25	38	51	76	102	152	203	254
A1 (RF)	in	12.25	14.875	14.875	20.25	23.125	32	37.375	40.375
	mm	311	378	378	512	587	813	949	1026
A2 (RTJ)	in	12.25	15	15	20.5	23.5	32.5	38	40.25
	mm	311	381	381	521	597	826	965	1022
H1	in	2.5	3.25	3.25	5.25	5.375	7	9.25	11.75
	mm	64	83	83	133	137	178	235	298
H2	in	5.875	8.5	8.5	10.25	12.125	18	20.25	24.25
	mm	149	216	216	260	308	457	514	616
WGT (RF)	lb	50	80	85	175	290	550	810	1650
	kg	23	36	39	80	132	250	368	750